

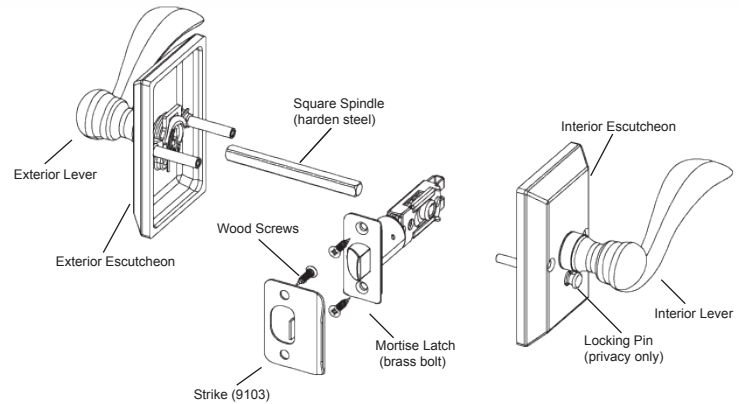
SandCast Specifications

DELANEY[®]
Old World Quality New Age Design

Leversets & Knobsets Meets ANSI Grade 2 Standards

STANDARD SPECIFICATIONS

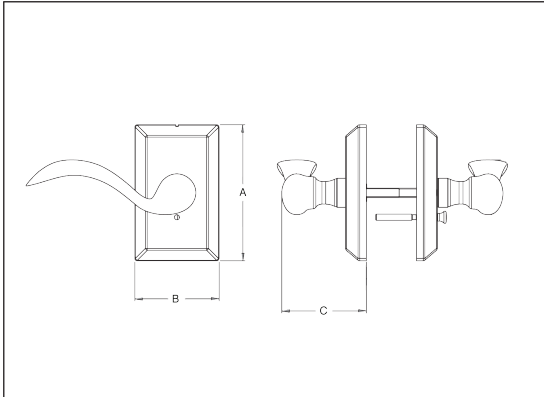
| | |
|----------------|---|
| Door Prep | Deadbolt cross bore: 2-1/8". Edge bore: 1". Latch face" 1" x 2-1/4". |
| Backset | Fits 2-3/8" and 2-3/4" adjustable. |
| Door Thickness | 1-3/8" ~ 1-3/4" door standard. |
| Cylinder | SC4 6-pin standard. |
| Latch | Lever: 2-3/8" and 2-3/4" adjustable. (9079R) Knob: 2-3/8" and 2-3/4" adjustable. (9080R) Faceplate: 1" x 2-1/4" round corner. Bolt: Solid brass, 1/2" throw. |
| Door Handing | Knob: Reversible for right or left handed doors. Lever: Specify handing when ordering. |



Optional for Lever or Knob Designs



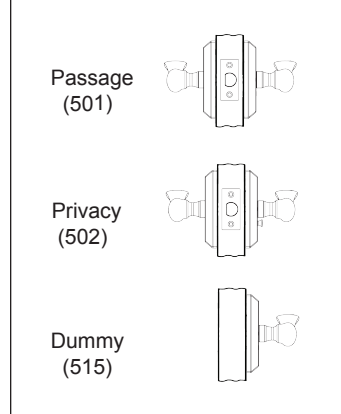
DIMENSIONS



DESIGN

| | Riviera | Torino | Sienna | Rosa | Tuscan |
|---|---------|----------|--------|----------|----------|
| A | 4-1/4" | 4-1/4" | 4-1/4" | 4-1/4" | 4-1/4" |
| B | 2-5/8" | 2-5/8" | 2-5/8" | 2-5/8" | 2-5/8" |
| C | 2-1/32" | 2-27/32" | 3-3/8" | 2-23/32" | 2-13/16" |

FUNCTIONS



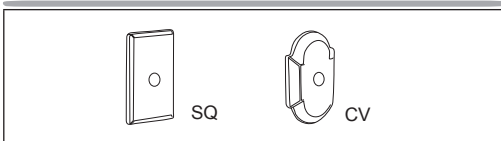
OPTIONS

| DESCRIPTION | NOTE |
|----------------|--|
| Split Finishes | Available upon request. |
| Keying | Keying as requested. |
| Door Thickness | Available for 2-1/4" thick door. |
| Cylinder | KW1 5-pin, SC1 5-pin. |
| Latches | Knob: Square corner (9080), Drive-in. (9085) Handle: Square (9079), Drive-in. (9079C) |
| Strikes | Deadbolt: 1" x 2-3/4" square corner. (9111) Handle: "T" type 1-1/8" x 2-3/4". (9101) |
| UL Latch | Available |

AVAILABLE FINISHES

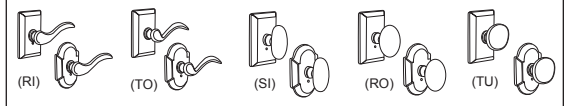
| ABBREVIATION | DESCRIPTION |
|--------------|-----------------------|
| AVB | Aged Victorian Bronze |
| AP | Aged Pewter |
| AB | Aged Black |

AVAILABLE ESCUTCHEONS



AVAILABLE DESIGNS

| ABBREVIATION | ESCUTCHEON | ITEM NAME |
|--------------|------------|-----------|
| RI | SQ/CV | Riviera |
| TO | SQ/CV | Torino |
| SI | SQ/CV | Sienna |
| RO | SQ/CV | Rosa |
| TU | SQ/CV | Tuscan |



THE DELANEY CO.

Copyright ©2008 THE DELANEY CO. All rights reserved.