

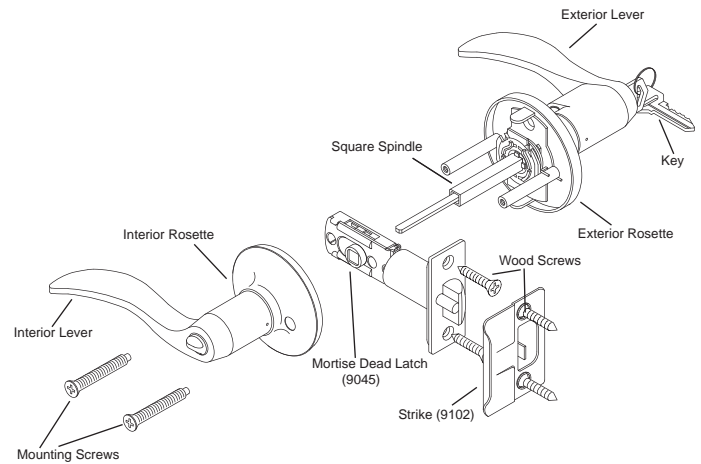
EZSET Specifications



500TZ Series Leverset Meets ANSI Grade 3 Standards

STANDARD SPECIFICATIONS

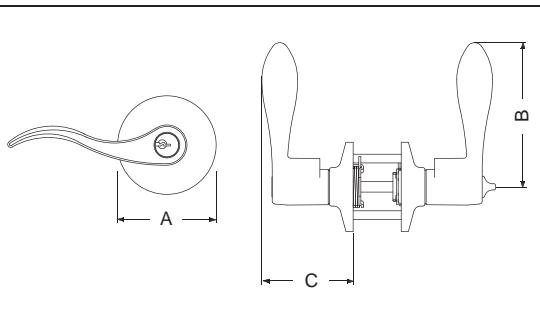
Door Prep	Cross bore: 2-1/8". Edge bore: 1". Latch face" 1" x 2-1/4".
Backset	Fits 2-3/8" and 2-3/4" both.
Door Thickness	1-3/8" ~ 1-3/4" door standard.
Cylinder	KW1 5-pin standard.
Latch	Entrance: 2-3/8" and 2-3/4" adjustable. (9045R) Privacy/Passage: 2-3/8" and 2-3/4" adjustable. (9074) Faceplate: 1" x 2-1/4" round corner. Bolt: 1/2" throw.
Strike	1-3/4" x 2-1/4" full lip round corner. (9103)
Wood Screws	Combination screws that suit both wood or metal door mounting.
Door Handing	RY & RZ: Reversible levers MH & ET: Non-handed levers *Handing required for dummy function and exterior with knob only.



Optional Lever Designs



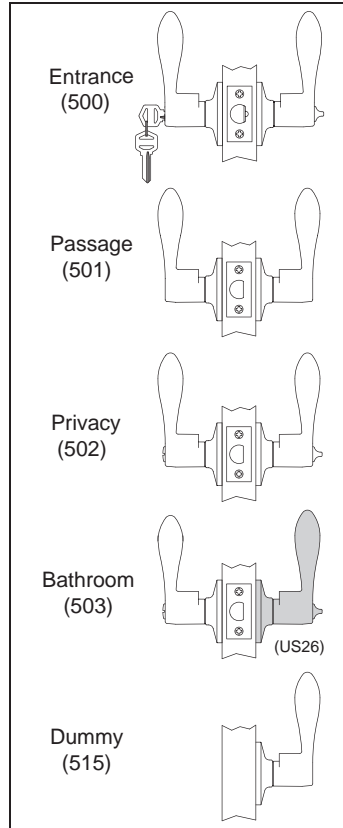
DIMENSIONS (Entrance)



DESIGN

	Royal	Ritz	Manhattan	Escort	Palmer
A	2-9/16"	2-9/16"	2-9/16"	2-9/16"	2-9/16"
B	4-9/64"	3-11/16"	3-45/64"	3-45/64"	4-1/16"
C	2-5/8"	2-11/32"	2-21/64"	2-21/64"	2-21/32"

FUNCTIONS



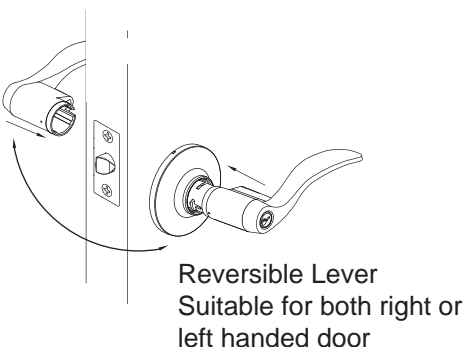
OPTIONS

DESCRIPTION	NOTE
Door Thickness	Available for 2" and 2-1/4" thick door.
Cylinder	SC1 5-pin.
Keying	Keying as requested.
Latch	Entrance: Square corner (9045), Drive-in. (9045C) Passage/Privacy: Square corner (9072), Drive-in. (9076)
UL Latch	Available.
Strikes	1-1/8" x 2-3/4" "T" Type. (9101) 1-3/4" x 2-1/4" Full Lip Square Corner Strike. (9102) 1-3/4" Full Round Strike. (9108) 1-1/4" x 2-3/4" "T" Type Adjustable. (9125)
Function	Privacy with inside free. ♿
Split Finishes	Available upon request.
Exterior	Exterior with knob is available.

AVAILABLE FINISHES

FINISH		RY	RZ	MH	ET	PA
US3	Polished Brass	•	•	•	•	•
US5	Antique Brass	•	•	•	•	•
US15	Satin Nickel	•	•	•	•	•
US15A	Antique Nickel (Pewter)	•	•	•	•	•
US26	Polished Chrome	•	•	•	•	•
US10B	Oil Rubbed Bronze	•	•	•	•	•
US12P	Tuscany Bronze	•	•	•	•	•

*Other finishes maybe available upon request. Please call for more information.



THE DELANEY CO.

Copyright ©2008 THE DELANEY CO. All rights reserved.