

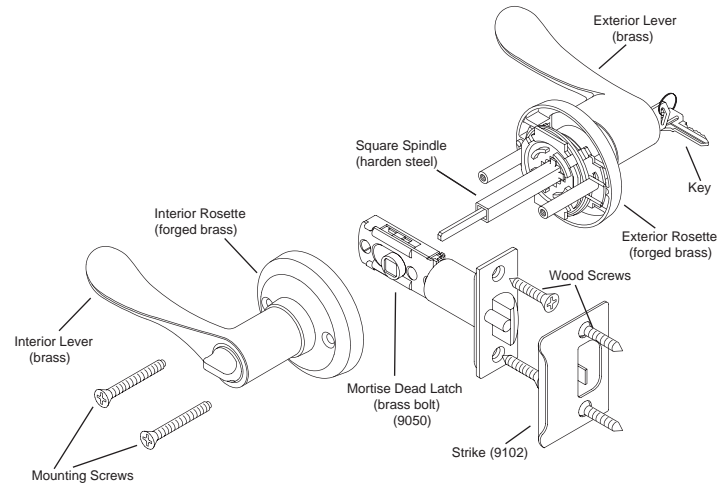
EZSET Specifications



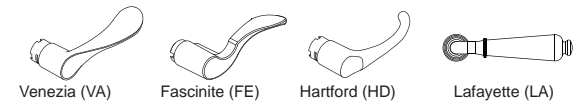
500TB Series Solid Brass Leverset Meets ANSI Grade 3 Standards

STANDARD SPECIFICATIONS

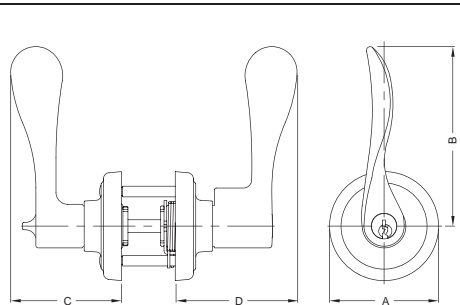
Door Prep	Cross bore: 2-1/8". Edge bore: 1". Latch face" 1" x 2-1/4".
Backset	Fits 2-3/8" and 2-3/4" both.
Door Thickness	1-3/8" ~ 1-3/4" door standard.
Cylinder	KW1 5-pin standard.
Latch	Entrance: 2-3/8" and 2-3/4" adjustable. (9050R) Privacy/Passage: 2-3/8" and 2-3/4" adjustable. (9079R) Faceplate: 1" x 2-1/4" round corner. Bolt: Solid brass 1/2" throw.
Strike	1-3/4" x 2-1/4" full lip round corner. (9103)
Wood Screws	Combination screws that suit both wood or metal door mounting.
Door Handing	VA/FE: Handed levers (Specify handing when ordering.) HD/LA: Non-handed levers. (except for privacy function)
Function	Standard with inside free.



Optional for Lever Designs



DIMENSIONS (Entrance)

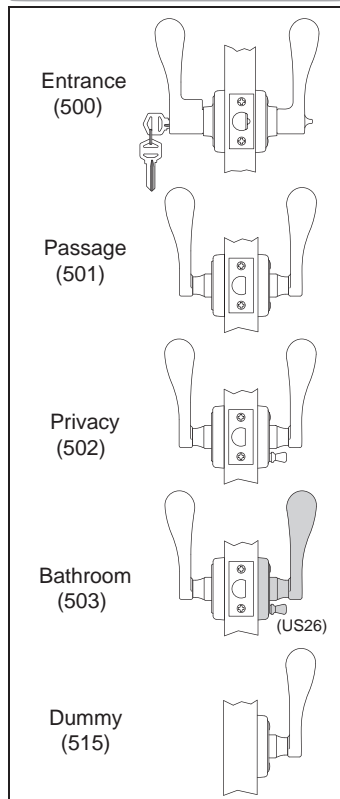


DESIGN

	Venezia	Fascinite	Hartford
A	2-9/16"	2-9/16"	2-9/16"
B	4-7/32"	4-3/32"	4-11/64"
C	2-19/32"	2-1/4"	2-3/8"
D	2-7/8"	2-1/2"	2-31/64"

*LA lever does not have entrance function

FUNCTIONS



OPTIONS

DESCRIPTION	NOTE
Door Thickness	Available for 2" and 2-1/4" thick door.
Cylinder	SC1 5-pin.
Keying	Keying as requested.
Latches	Entrance: Square corner (9050), Drive-in. (9050C) Privacy/Passage: Square corner (9079), Drive-in. (9079C)
UL Latch	Available
Strikes	1-1/8" x 2-3/4" "T" Type. (9101) 2-1/4" Full Lip Square Corner. (9102) 1-3/4" Full Lip Round. (9108) 1-1/4 x 2-3/4" "T" Type Adjustable. (9125)
Split Finishes	Available upon request.

AVAILABLE FINISHES

FINISH		VA	HD	FE	LA
PVD	Lifetime Brass	●	●	●	●
US3	Polished Brass	●	●	●	●
US15	Satin Nickel	●	●	●	●
US15A	Antique Nickel (Pewter)	●	●	●	●
US26	Polished Chrome	●	●	●	●
US10B	Oil Rubbed Bronze	●	●	●	●
US12P	Tuscany Bronze	●	●	●	●

*Other finishes maybe available upon request. Please call for more information.

*PVD available only in entrance and passage functions.



THE DELANEY CO.

Copyright ©2008 THE DELANEY CO. All rights reserved.